

economic, safe and easy to use

Ion-Exchanger Cartridges

For water treatment and de-ionisation, IPI supply Ion-Exchanger cartridges in a range of sizes. The cartridges are made of stainless steel with a polyurethane jacket which gives better durability and heat resistance than traditional cartridges.

All containers are equipped with a stainless steel, two tube fill and empty system. For special use we offer the innovative Monobloc system which is available on request.

Management of the cartridges is facilitated by the use of RFID tags together with TagTech hard and software for tracing, tracking and optimising logistics.

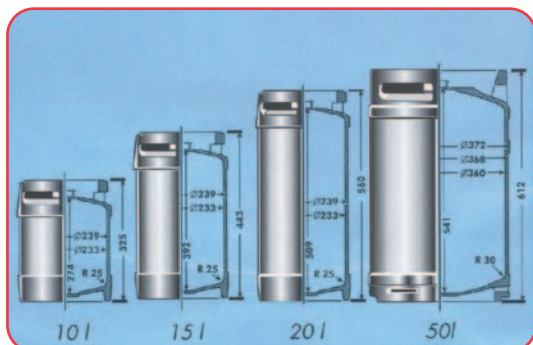


economic, safe and easy to use

Ion-Exchanger Cartridges

As well as offering a significantly more durable, longer lasting and temperature resistant solution than conventional plastic units, the addition of the PU jacket also gives the following benefits:

- Effective advertising through in-mould labelling and/or complete colouring of the PU jacket
- Noise prevention
- Transponder encapsulation



The container is available in 10L, 15L, 20L and 50L sizes.

All Ion-Exchanger cartridges are equipped with a safety burst point to prevent the cartridge from exploding at high pressure. Ion-Exchanger cartridges can be fitted with the innovative Monobloc on request.

The Ion-Exchanger is supplied with the following equipment:

- Coarse pitch thread RD 58 x 1/6"
- 2 necks G 3/4"
- Screw plug RD 58 x 1/6" with vent screw G 1/4"
- 2 barrel nipples G 3/4"
- 1 filling and 1 extractor tube with nylon sleeve

All the internal parts can be fully replaced and are available to purchase as spare parts.

